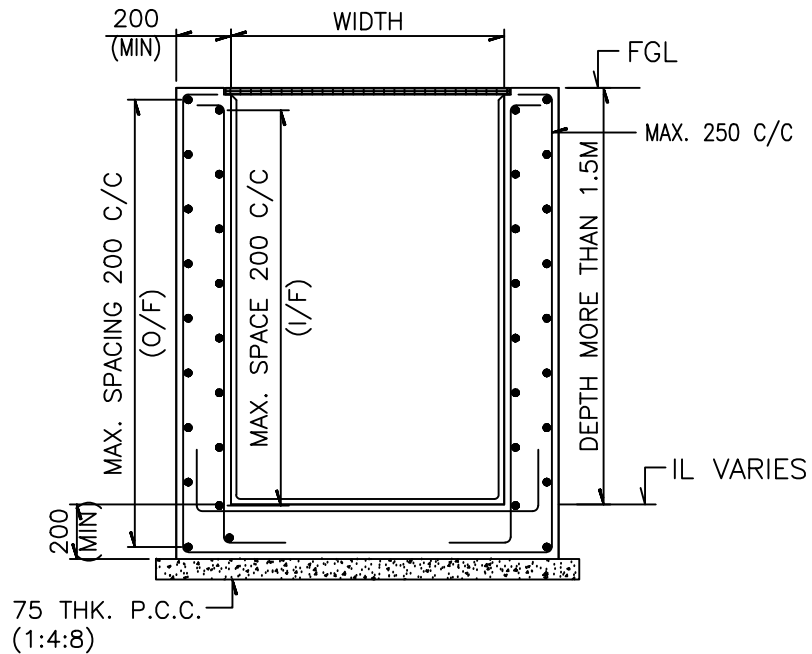
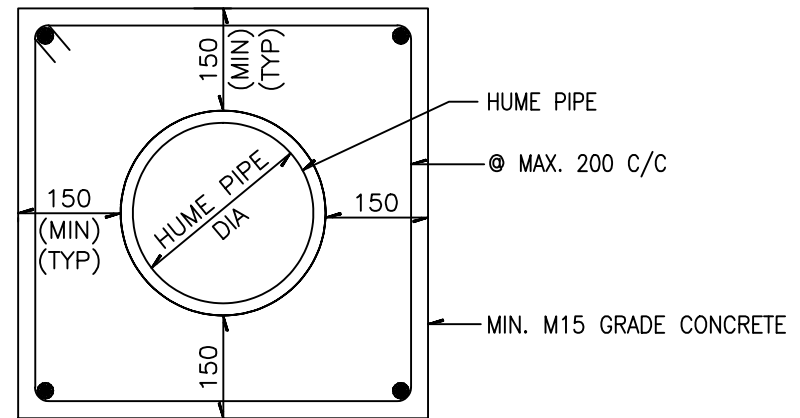


TYPICAL DETAIL OF DRAIN
 (FOR WIDTH 600 MAX.)
 (REFER NOTE-5)
 1:25



TYPICAL DETAIL OF DRAIN
 (FOR WIDTH 1000 ONLY)
 (REFER NOTE-5)
 1:25



TYPICAL SECTION OF
 HUME PIPE ENCASEMENT
 1:10

		CLEARED							
DPN			ADD	DATE	ISSUE		RFVISIONS		DPN