

**ASSAM PETRO-CHEMICALS LIMITED**  
**NAMRUP**  
**(A Govt. of Assam Undertaking)**

**INVITATION FOR EXPRESSIONS OF INTEREST (EOI)**

Assam Petro-chemicals Ltd (APL) is leading producer of Methanol and Formalin in North East India having present Production capacity of 100TPD of Methanol and 125TPD of Formalin.

APL invites Expression of interest (EOI) from interested vendors to be submitted for “Setting up, Operation & Maintenance of 3 Phase, 33KV, 50Hz Grid Interactive Solar PV System” at APL, Namrup. The required land for setting up of the facility will be provided by APL on leased basis. The cost for setting up of the facility and development of land, building etc. will be borne by the vendor.

The proposed Solar Plant should have sufficient capacity, so that generated power can be utilized effectively and efficiently in both HT and LT plant loads as well as township domestic load without any hindrance.

In our existing system the total Connected Load is **5274 KW** and Maximum Demand is **4344 KVA** (SLD enclosed)

- i. Highest Rating of HT Motor is 570 KW, 3.3 KV, 138.7 Amp.
- ii) Highest Rating of LT Motor is 110 KW, 415 Volt,188 Amps.

**Submission**

Submissions must be made in hard-copies in sealed envelope and super scribing in the envelope:

**Expressions of Interest for “Setting up, Operation & Maintenance of 3 Phase, 33KV, 50Hz Grid Interactive Solar PV System”**

The sealed envelopes must be submitted:

**To,**

**Managing Director,**  
Assam Petro-Chemicals Limited  
Namrup, P.O. Parbatpur-786623  
Dist. Dibrugarh, Assam, India

**Closing Date**

The closing date for submissions **30-04-2019**

## **PRESCRIBED FORMAT FOR SUBMISSION as per Annexure-1**

Interested vendors are requested to submit the following documents:

**The Covering Letter**- Vendors are requested to indicate in their covering letter regarding their interest to set up, operation & maintenance as per the standard specification like

- **Requirement of land** (area measurement)
- **Cost for setting up of the Solar power plant, with detailed scheme/SLD, etc.** showing the existing power source along with the proposed power plant to be submitted along with EOI.

**Profile**– showing details of the vendor viz. ownership, addresses and contact details etc.

**Experience Certificate (self attested) Copies of** – location of similar type of assets already installed and operated by the vendor.

**Financial soundness**-from the bank, bank statements or audited financial statements - showing evidence of gross annual turnover of the vendor over past 3 years.

### **TERMS AND CONDITIONS**

1. The interested vendors may visit and inspect the site for setting up the facility before submitting EOI at their own cost.
2. All the statutory approvals for Grid Interactive Solar PV Plant shall be in the scope of vendor.
3. The land to be provided by APL will be “**as on and where on basis**”.
4. The interested vendor will have to submit a detailed scheme showing the proposed power plant with the existing system along with EOI.
5. As our plant is continuous process plant, so continuous power without any interruption will be required to run the plant.
6. Expenditure in way of fulfilling all statutory obligations of both the Central and State Governments during the period of contract will be borne by the vendor.
7. The operator engaged by the selected vendor inside the Company’s premises, shall strictly observe the rules and regulations decided by the Security Authority.
8. The vendor has to clarify all the technical, commercial and feasibility queries by APL during the process.
9. APL reserves the right to either to select or reject the vendor or suspend the entire process at its sole discretion.

**Managing Director**

**APL**

**Annexures**

**ANNEXURE-1**

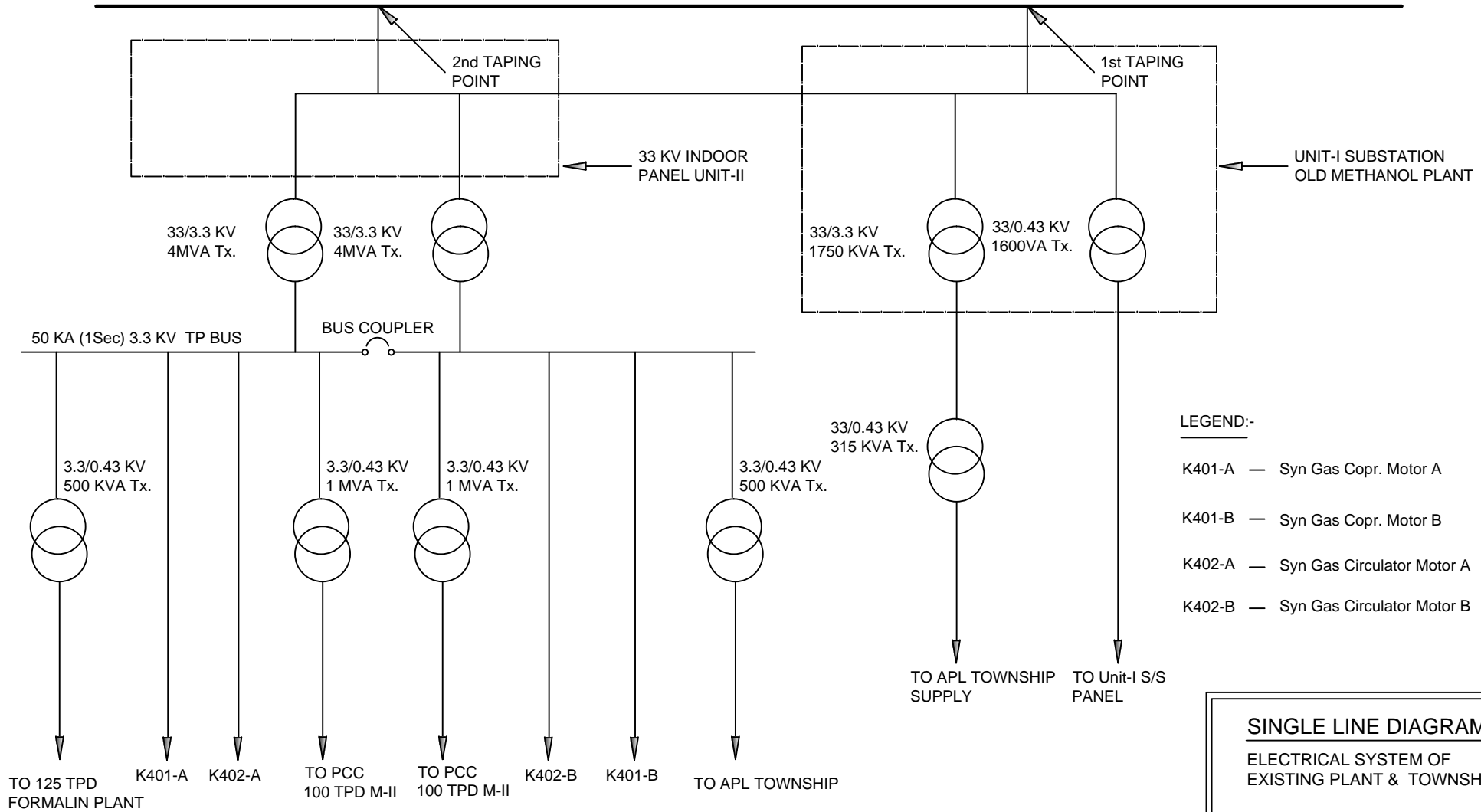
**Details of the Bidder:-**

1	Name of firm	
2	Address of Firm	
3	Registration No.	
4	Year of Incorporation (Photocopy of Certificate of Incorporation must be attached)	
5	Legal Status	Public Ltd. Co/Private Ltd. Co./ Partnership firm etc
6	Name of the authorized signatory	

7	Specimen Signature of the Authorized signatory.		
8	Telephone Number of the authorized signatory and other Telephone Number of the firm.		
9	Details of the similar type of job done by the party earlier		
10	Annual Turnover F.Y2015-16, 2016-17, 2017-18.	2017-18	
		2016-17	
		2015-16	
11	List of copies of documents enclosed		

**Note: Enclose copies of balance sheet and profit & loss a/c for the last three financial years, GST registration certificate, certificates of registration with Income Tax authorities, I/Tax returns for the last three financial years , PAN etc.**

33 KV O.H. LINE CONDUCTOR FROM NTPS, DESIGN FAULT LEVEL 13.1 KA, 750 MVA SYMMETRICAL BREAKING CAPACITY



**SINGLE LINE DIAGRAM**  
ELECTRICAL SYSTEM OF EXISTING PLANT & TOWNSHIP