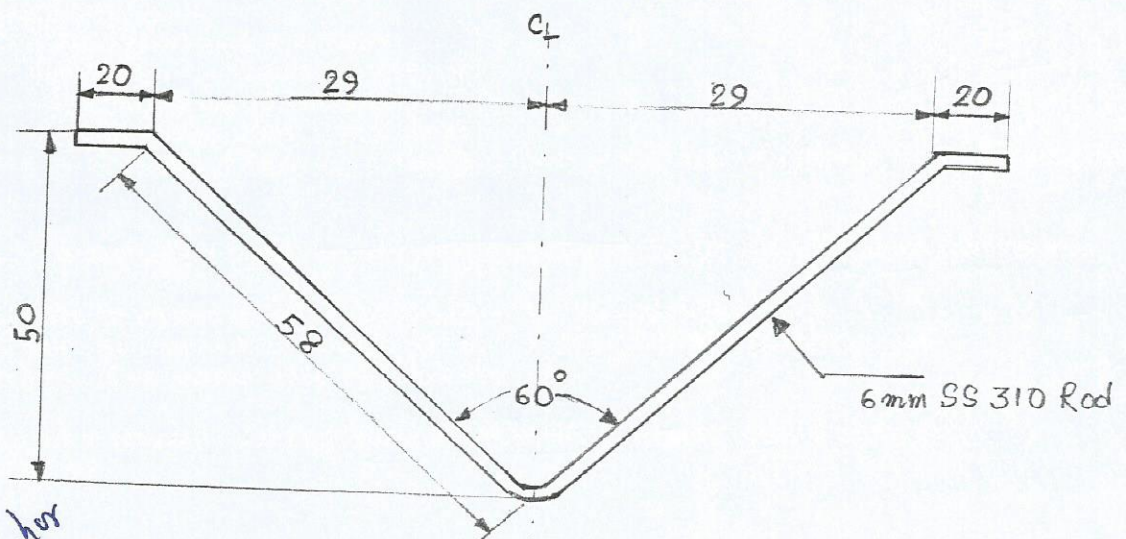


8/6 ϕ SS 'Y' SPRAG WITH SS NUTS



6 ϕ SS 'V' SPRAG .50 MM HT X 6MM DIA

checked for
anchor
19/9/20

checked & certified
Pwck Sindhu Pand
19/9/20

19/9/20
S. M. M. M.

ALL DIMENSIONS ARE IN MM.